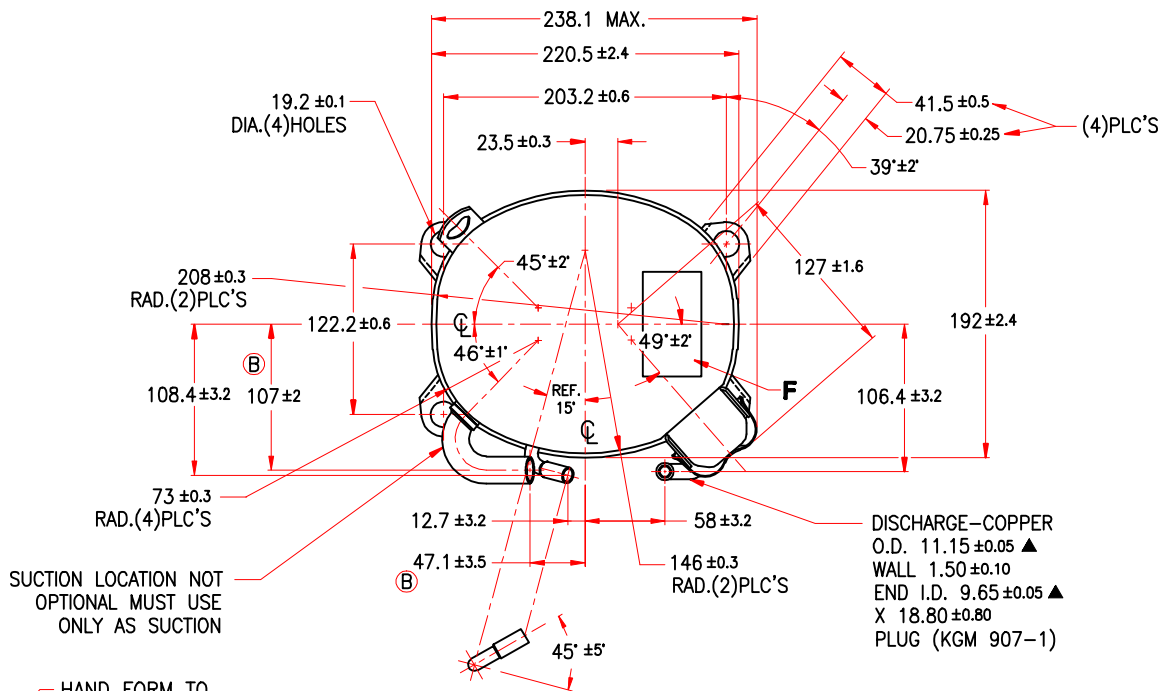


ISSUE	REFERENCE	DATE	DETAIL OF CHANGE	C/N No.	CHKD
A		15-08-11	RELEASE NEW DRAWING	0288/11	T.MANA
B	3	12-09-11	WAS KWT 247-2 & REVISED DIMENSIONS	0350/11	T.MANA



NOTE.

1. IF SPECIFIED ON BILL OF MATERIAL ASSEMBLE THESE PARTS AS SHOWN.

QA SYMBOLS	
▲	1 ST CRITICAL
■	2 ND CRITICAL
★	3 RD CRITICAL

ITEM	K.K. P/No.	DESCRIPTION
H	KEP 881-B	OIL LABEL
G	KWP 880-1	WARNING STICKER
F	KWP 885Z-158	SERAIL PLATE LABEL
E	KWT 247-8	PROCESS TUBE
D	KWT 247-18 (B)	SUCTION TUBE
C	KWT 231-4	DISCHARGE TUBE
B	KWH 432-4	LOWER HOUSING
A	KWH 435-13T	UPPER HOUSING

UNLESS OTHERWISE SPECIFIED	DETAILED	MATERIAL : -
1.AMERICAN PROJECTION (3rd ANGLE) 2.DIMENSIONS IN MM. 3.GENERAL TOLERANCES. WHOLE NUMBER --- ±1 --- DECIMALS. --- ±1 --- ANGLES ±30 MINUTES. COMMERCIAL TOLERANCES APPLY FOR GAUGE TUBING AND BAR STOCK. 4.ALL CASTINGS TO BE SUPPLIED FREE FROM FLASH AND POROSITY. 5.SURFACE FINISHES SPECIFIED IN MICRO INCHES MAXIMUM 200 UNLESS NOTED.	DRAWN B.ANUPONG CHECKED T.MANA APPROVED C.CHARUWAT DATE 12-09-11 SCALE NTS	REF. TABLE FINISH REF. NOTE QTY. 1/ASSY PART No. WJ 9490Z BOM ID 88H INTERNAL USE ONLY :-
REMOVE BURRS AND SHARP CORNERS		ESKYOONLISJRWINGEDRAWING CAD/PA/SALES COMP AN/VJ 9490Z ID 88HJG

KULTHORN KIRBY PUBLIC COMPANY LIMITED 126 LADKRABANG INDUSTRIAL ESTATE BANGKOK 10520		
TITLE :- MOTOR COMPRESSOR		
SHEET 1 OF 1	SHEET SIZE A4	DRAWING No. WJ 9490Z BOM ID 88H